

modaLIGHT[®]

SPECIFICATION

MP39 DRIVER

Hard wired miniature 6w 24v DC LED driver. Universal input 100-240v for worldwide use. Fully protected short circuit, over current, over voltage & over load. Durable plastic construction. Quality design by MODA engineers ensures a long life. Fully potted. Cooling by free air convection. Dry location rated. Tested by UL.



OUTPUT

DC Voltage	24v
Rated Current	2.5A
Constant Current Region	±1v
Rated Current	250mA
Rated Power	6w
Efficiency (Typ.)	80%
Dimming	0 - 10v

INPUT

Voltage Range	100 - 240v AC
Frequency Range	50 / 60 Hz
Power Factor	< 0.98
Inrush Current (Max.)	< 25A
Leakage Current	< 1mA / 240v AC

STANDARDS & CERTIFICATIONS

Safety Standards	UL, cUL 1310 Class 2 CE EN 61347 / EN55015
RoHS	Compliant
EMI Filtering	FCC Part15J Class B, CISPR 22 Class B
Warranty	5 Year Limited Warranty

Project Name:

Notes:

PHYSICAL

Dimensions	Length 2" (50mm) Width 1 3/5" (40mm) Height 4/5" (21mm)
Weight	1.4 oz (39.6g)
Construction	Plastic Construction, Fully Potted
Thermal Management	Free Air Convection

ENVIRONMENT

Location	Dry Location Rated IP20
Operation Temp.	14° F ~ 104° F (- 10° C ~ +40° C)
Operation Humidity	20% ~ 95% RH Non Condensing
Storage Temp.	- 4° F ~ 176° F (- 20° C ~ 80° C)
Storage Humidity	10% ~ 90% RH
Vibration Frequency	5 ~ 55Hz
MTBF	> 100,000 hours at full load & 25°C ambient conditions (MIL-217F)

Note: With constant development of LED technology please refer to our website for current technical data

PROTECTION

Open Current	Yes
Short Circuit	Yes
Surge Protection	Yes
Over Temperature	TCase: Max 158° F (70° C)

MODA TECHNOLOGY

modaDRIVER™

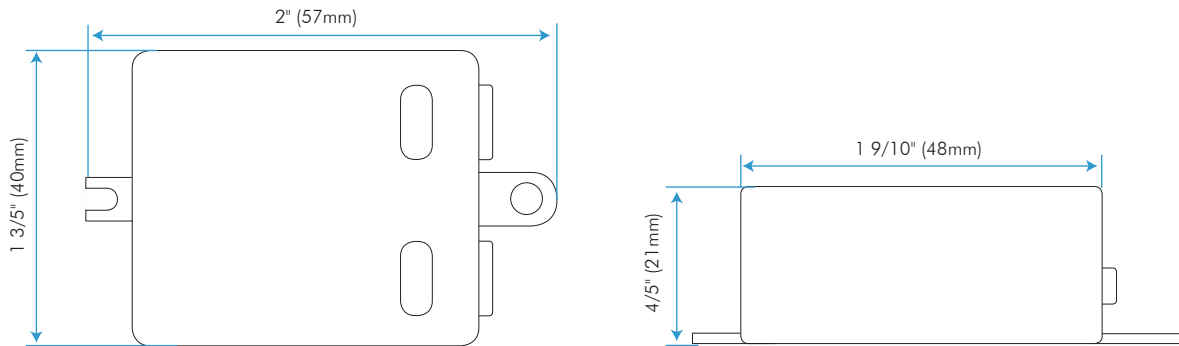
STANDARDS & CERTIFICATIONS



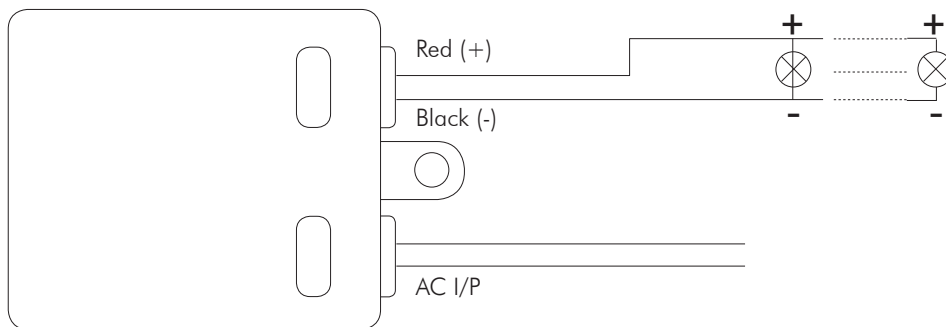
Due to continuous improvements and innovations, specifications may change without notice. Please refer to our website for current technical data. These figures are provided as a guideline only and may vary with differing power supplies and installations. All rights reserved. E&OE.

VDC20161312
955 White Drive Las Vegas, NV 89119 | T: 702 407 7775
F: 702 407 7773 | www.modalight.com | © Copyright 2016

MECHANICAL SPECIFICATION



WIRING DIAGRAM



Notes:

1. Lamps must be wired in series, and total value of Vf should be under rated DC Voltage.
2. Disconnect the line voltage first before installing. Do not turn on/off from output port.
3. Parameter measured at full load 25°C ambient temperature.
4. Two year warranty.