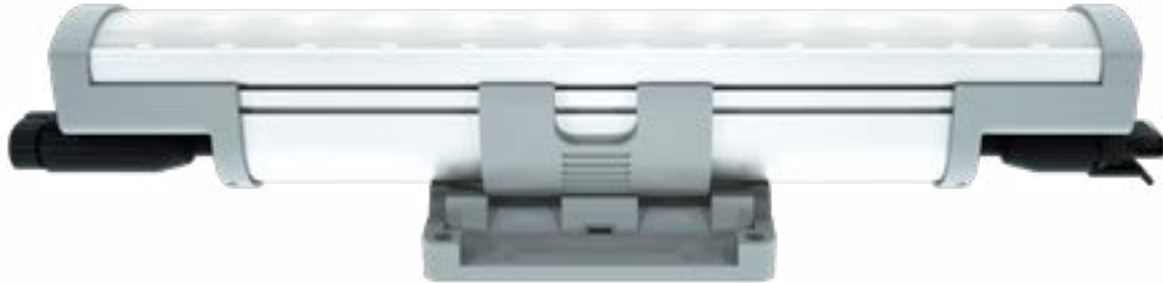


Client: _____ Project Name: _____
MODA Contact: _____ E-Mail: _____
Type: _____ PO#: _____ Quantity: _____
Notes: _____



Specification Grade Premium Exterior Cove Fixture.

MODA COVE Exterior is a patent pending cove lighting system designed for exterior applications. Utilizing MODA's latest DMX software, our onboard Microprocessor is uniquely programmed in-house with a firmware to receive DMX512 signals for full independent control of every 1ft section. Change the color temperature ranging from 2200K to 6500K and create a variety of moods. With MODA's methods of precision and high standards of work, MODA achieves perfect illumination. Color Rendering Index is at a MODA standard of 90-98. R1 - R15 values are in excess of 90. No striations, no color over angle, and no dark spots. 100-277V, 50/60Hz power input allows these fixtures to be installed anywhere in the world. New patent pending locking bracket rotates 180 degrees for a multitude of light directions. Rugged aluminum design. Protected from corrosion and harsh weather conditions by MODA GUARD—a tough seal which protects the fixture. Fast installation is achieved with MODA KWIK CONNECT plugs and install-integral thumb latch connectors. Available in 1ft & 4ft sections. Series is designed for driver or light engine to be factory replaced at its end of life or recycled.

Designed and developed in Las Vegas, USA by MODA.

PAGE

3 FEATURES

4 1 FOOT

5 4 FOOT

6 DMX WIRING

7 ACCESSORIES: CABLES

8 FIXTURES & ACCESSORIES

9 ITEM NUMBER

PHYSICAL

Dimensions	L: 12 1/2in (318mm)	W: 2 13/16in (71mm)
	L: 47 3/8in (1204mm)	H: 2 9/16in (65mm)
Weight	12in: 1.3lbs (0.6kg)	
	48in: 4.9lbs (2.22kg)	
Applications	Cove, Accent, & Indirect General Illumination	
Construction	Pure Aluminum Body, Polycarbonate Mounting Bracket and Polycarbonate Optical Lens	
Ingress Protection	Wet Location IP66	
Thermal Management	Moda Aluminum Heat Sink	
Fixture Connections	Integral Male & Female Connectors	
Operating Temperature	-40°F ~ 122°F (-40°C ~ 50°C)	
Storage Temperature	-40°F ~ 176°F (-40°C ~ 80°C)	
Humidity	0-95% Non Condensing	

SPECIFICATIONS

	Lumens		Efficacy	
	1FT	4FT	1FT	4FT
SO	791	3188	79.10	79.69
HO	1203	4850	120.34	121.24
HO+	1393	5615	129.32	140.37

POWER CONSUMPTION

	120V - 277V AC	
	1FT	4FT
SO/HO/HO+	10W	40W

ELECTRICAL

Input Voltage	100-277V AC 50Hz/60Hz
Control	DMX512
Power Factor	≥ 0.98

MAX CONTINUOUS RUN

	120V AC	277V AC
SO/HO/HO+	80ft	80ft

OUTPUT

CCT	2200K - 6500K
Beam Angle	120°
CRI	97
SDCM	2 Step MacAdam Ellipse
Color Bin Tolerance	Single Bin
Lumen Maintenance	90,000 Hours L70 @ 25°C 70,000 Hours L70 @ 50°C
Testing Data	Light Data LM-79-08 & LM-80-08

MODA TECHNOLOGY

moda**SOFTWARE**[™]

moda**HARDWARE**[™]

moda**DYNAMIC WHITE**[™]

moda**PHOSPHOR**[™]

moda**HIGH CRI**[™]

moda**DMX**[™]

moda**DRIVER**[™]

moda**ZERO BIN**[™]

moda**THERMAL MANAGEMENT**[™]

moda**GUARD**[™]

moda**SEAL**[™]

moda**AIRFLOW**[™]

moda**COMMUNICATE**[™]

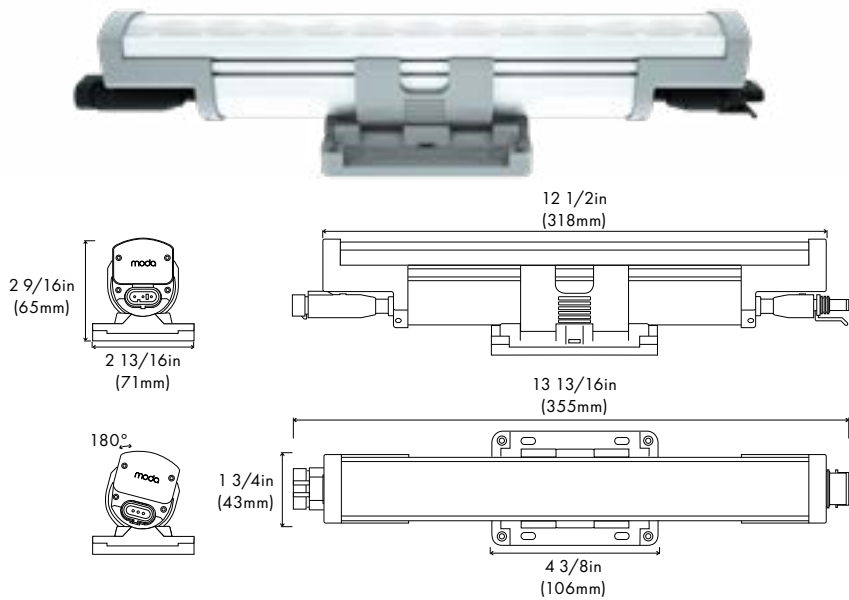
moda**KWIK CONNECT**[™]

STANDARDS & CERTIFICATIONS



Tested to UL & CSA by Intertek For Use in USA & CANADA. Exceeds ANSI C78.377-2015, CE, CCC, C-Tick, RoHS, & WEEE Compliant.

Certification	
Class	1
Warranty	3 Year Limited Warranty



DMX

	Lumens/ft	CRI	Efficacy
SO	682.23 - 791.00	97	68.22 - 79.10
HO	1058.00 - 1203.47	97	105.80 - 120.34
HO+	1224.85 - 1393.26	97	122.48 - 129.32

Power Consumption
120-277V AC 10W

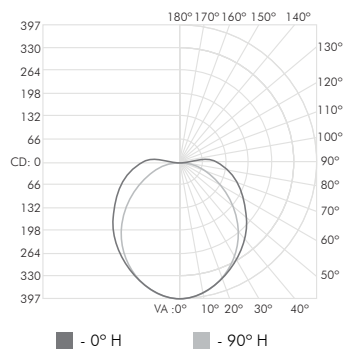
Max Run Lengths
120-277V AC 80ft

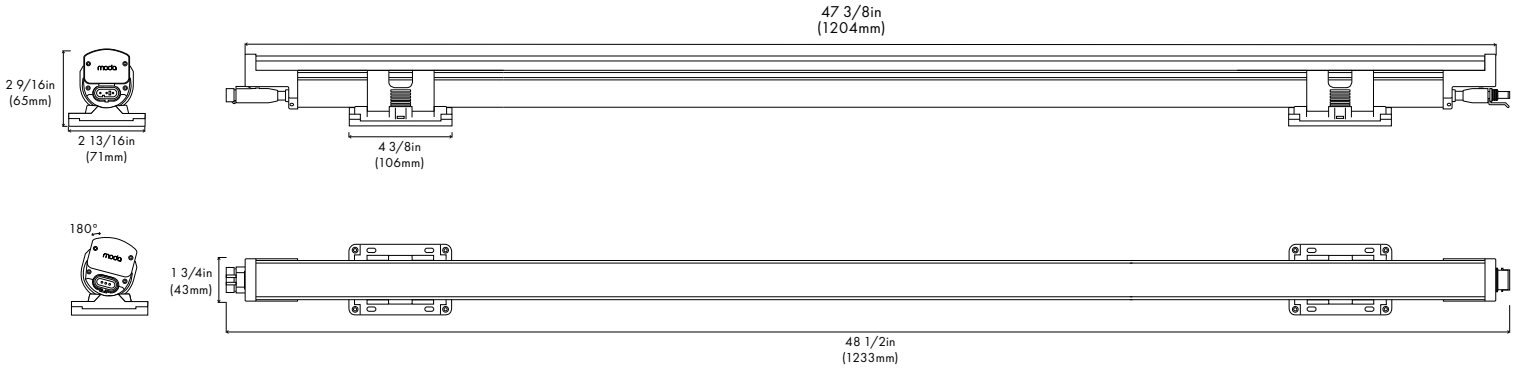
Illuminance at a Distance

	Center Beam FC	Beam Width
2.0 ft	111.01 fc	8.9 ft 5.6 ft
4.0 ft	27.75 fc	18.1 ft 11.3 ft
6.0 ft	13.87 fc	27.0 ft 16.9 ft
8.0 ft	6.93 fc	36.1 ft 22.5 ft
10.0 ft	3.46 fc	45.1 ft 28.2 ft
12.0 ft	2.77 fc	54.1 ft 33.8 ft

▲ Vert. Spread: 200° ▲ Horiz. Spread: 120°

Polar Candela Distribution





DMX

	Lumens	CRI	Efficacy
SO	2749.38 - 3187.73	97	68.73 - 79.69
HO	4263.74 - 4849.98	97	106.59 - 121.24
HO+	4936.14 - 5614.83	97	123.40 - 140.37

Power Consumption
120-277V AC 40W

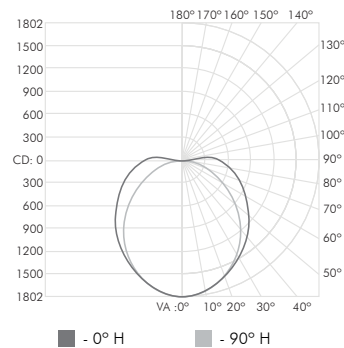
Max Run Lengths
120-277V AC 80ft

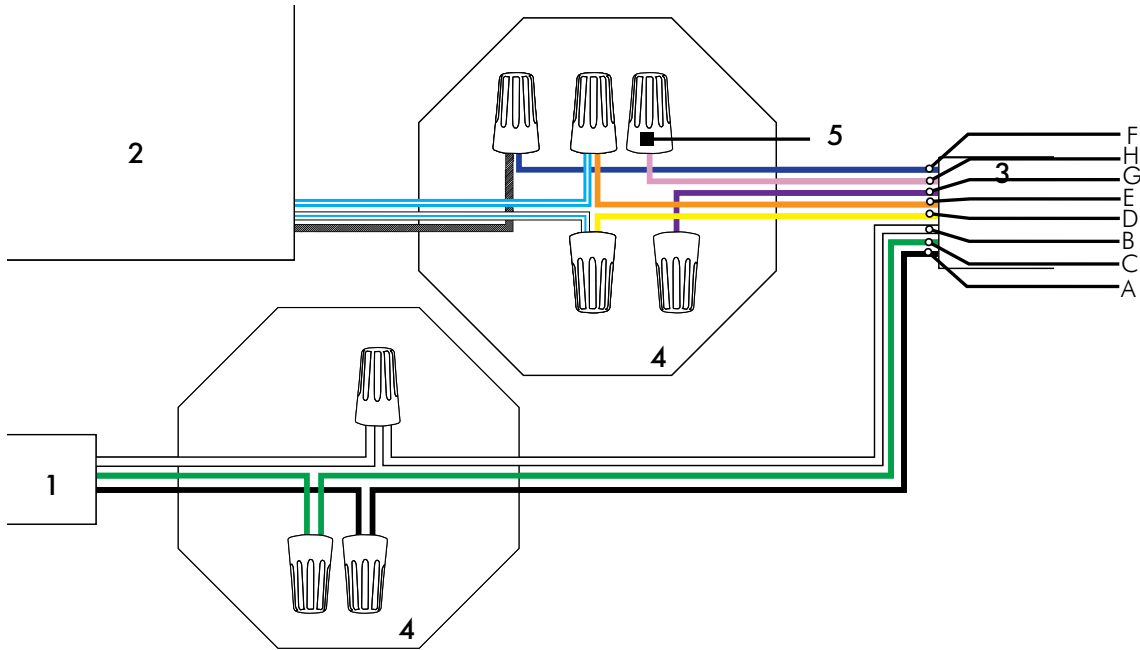
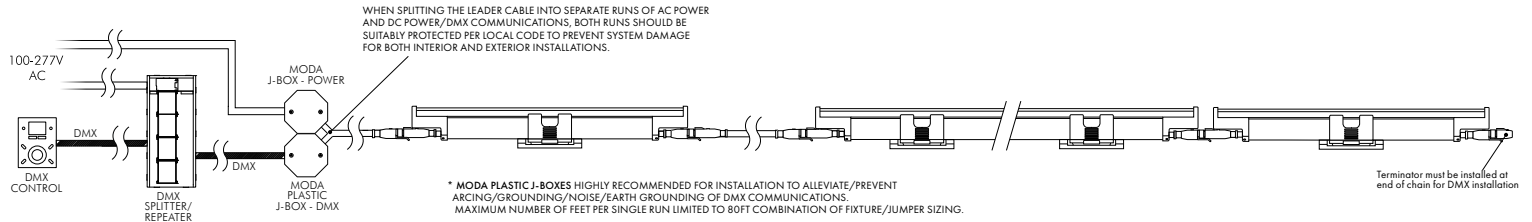
Illuminance at a Distance

	Center Beam FC	Beam Width
2.0 ft	444.04 fc	8.9 ft 5.6 ft
4.0 ft	111.01 fc	18.1 ft 11.3 ft
6.0 ft	55.50 fc	27.0 ft 16.9 ft
8.0 ft	27.75 fc	36.1 ft 22.5 ft
10.0 ft	13.87 fc	45.1 ft 28.2 ft
12.0 ft	11.10 fc	54.1 ft 33.8 ft

▲ Vert. Spread: 200° ▲ Horiz. Spread: 120°

Polar Candela Distribution



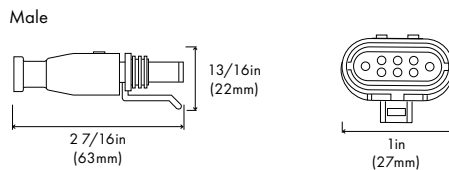
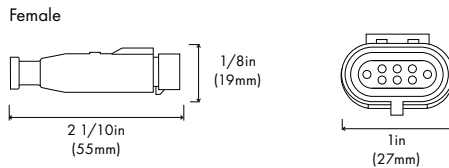


Wiring Legend

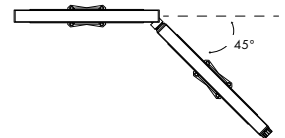
- 1 Power 100-277V AC
- 2 DMX Splitter/Repeater
- 3 8 Pin Leader Cable
- 4 Junction Box
- 5 Wiring Nuts

- Shielded RS-485**
- DMX Positive
 - DMX Negative
 - DMX Shield

DMX Connectors



Angle Adjustment



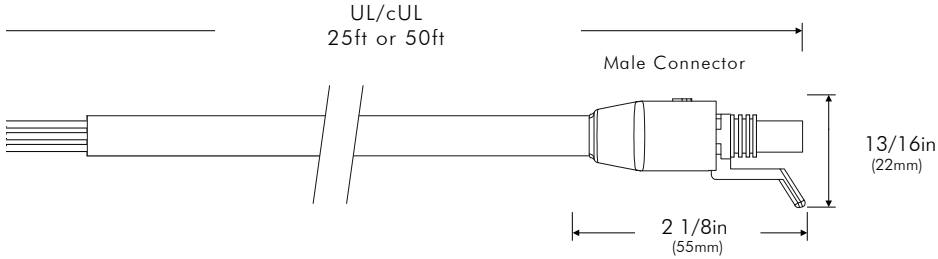
8 Pin Leader Cable

	UL/cUL
A	100-277V AC
B	Neutral
C	Ground
D	Data Positive/DC+
E	Data Negative/DC-
F	DMX Shield
G	Not Used
H	Not Used

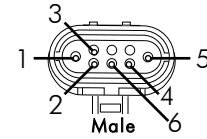
DMX LEADER CABLES

Moda Cove Exterior 8 Pin Leader Cables

	UL/cUL
Lengths	25ft and 50ft
Color	Black

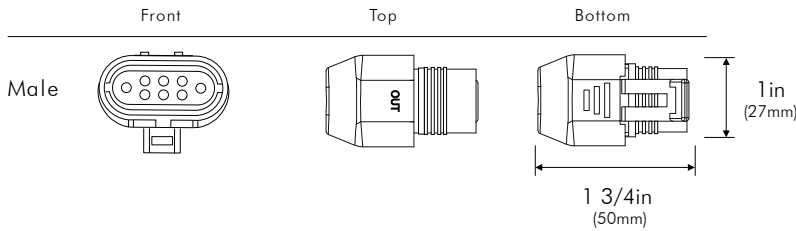


Pin Assignment



	UL/cUL
1 Live 100-277V	Black
2 Neutral	White
3 Ground	Green
4 DMX Positive	Orange
5 DMX Negative	Yellow
6 DMX Shield	Blue

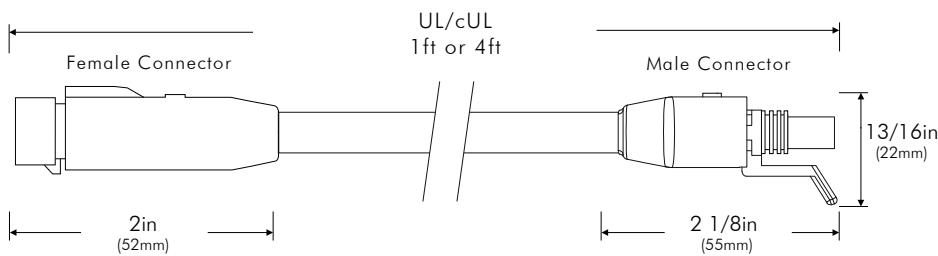
Connectors



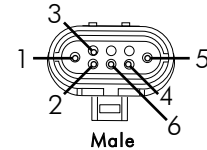
DMX JUMPER CABLES

Moda Cove Exterior 8 Pin Jumper Cables

	UL/cUL
Lengths	1ft and 4ft
Color	Black

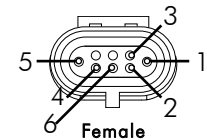
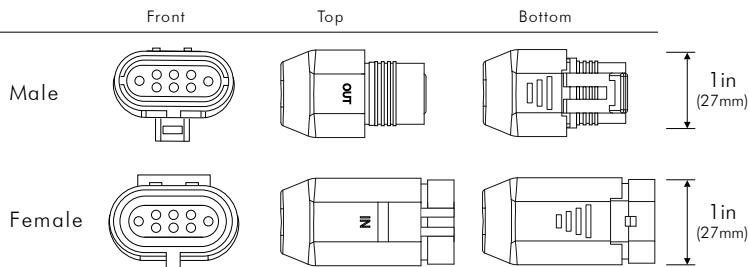


Pin Assignment



	UL/cUL
1 Live 100-277V	Black
2 Neutral	White
3 Ground	Green
4 DMX Positive	Orange
5 DMX Negative	Yellow
6 DMX Shield	Blue

Connectors



	UL/cUL
1 Live 100-277V	Black
2 Neutral	White
3 Ground	Green
4 DMX Positive	Orange
5 DMX Negative	Yellow
6 DMX Shield	Blue

	FIXTURE	ORDERING SKU
	Moda Cove Exterior Standard Output Silver Dynamic White 2200K-6500K HCRI 1FT	MCE-SO-S1-S-DW-1
1 FT	Moda Cove Exterior High Output Silver Dynamic White 2200K-6500K HCRI 1FT	MCE-HO-S1-S-DW-1
	Moda Cove Exterior High Output Plus Silver Dynamic White 2200K-6500K HCRI 1FT	MCE-HOP-S1-S-DW-1
	Moda Cove Exterior Standard Output Silver Dynamic White 2200K-6500K HCRI 4FT	MCE-SO-S1-S-DW-4
4 FT	Moda Cove Exterior High Output Silver Dynamic White 2200K-6500K HCRI 4FT	MCE-HO-S1-S-DW-4
	Moda Cove Exterior High Output Plus Silver Dynamic White 2200K-6500K HCRI 4FT	MCE-HOP-S1-S-DW-4

ACCESSORIES	DESCRIPTION	ORDERING SKU
Leader Cable US 8 Pin 25FT	Power to first fixture of run	MLCE-US-8PIN-B-25FT
Leader Cable US 8 Pin 50FT	Power to first fixture of run	MLCE-US-8PIN-B-50FT
Jumper Cable US 8 Pin 1FT	Connection between fixtures	MJCE-US-8PIN-B-1FT
Jumper Cable US 8 Pin 4FT	Connection between fixtures	MJCE-US-8PIN-B-4FT
Terminator 8 Pin	Must be fixed to last fixture for safety	MTE-8PIN-B
Exterior Bracket Lock	Holds fixture in place for vertical installation	MCGE-BL-G

CONTROLS	DESCRIPTION	PART NUMBER	ORDERING SKU
Pharos TPC	Touch Panel Controller (512 Channels) Black on Black	N/A	TPC BB
Pharos TPC	Touch Panel Controller (512 Channels) Cream on Cream	N/A	TPC CC
Pharos TPC	Touch Panel Controller (512 Channels) White on White	N/A	TPC WW
Pharos LPC1	Lighting Playback Controller (512 Channels)	N/A	LPC1
Pharos LPC2	Lighting Playback Controller (1024 Channels)	N/A	LPC2
Pharos LPC4	Lighting Playback Controller (2048 Channels)	N/A	LPC4
Pharos LPCX	Lighting Playback Controller (10 to 100 DMX universes)	N/A	LPCxxx
Kandi Touch	DMX512 Wall Mounted Touch Panel Controller with Color Display	KND-TCH-B (Black) KND-TCH-W (White)	250-0040 250-0041
MODA Touch*	DMX512 Wall Mounted Touch Panel Controller	MTCH-S1-B (Black) MTCH-S1-W (White)	MTCH-S1-B MTCH-S1-W

* - MODA Touch default scene addressing can be found on MODA Touch Product Documentation and DMX Fixture Installation Guides.

CONTROL ACCESSORIES	DESCRIPTION	PART NUMBER	ORDERING SKU
Pharos PSU 48V/100W	Power Supply 48V DC 2A Mean Well Din Rail	N/A	PSU 48V-100W
Pharos BPS US BB	Button Panel Station US Black-on-Black (Magnetic Overlay)	N/A	BPS US BB
Pharos BPS US CC	Button Panel Station US Cream-on-Cream (Magnetic Overlay)	N/A	BPS US CC
Pharos BPS US WW	Button Panel Station US White-on-White (Magnetic Overlay)	N/A	BPS US WW
Pharos BPS US T2	Button Panel Station US Custom Insert (Type 2 Acrylic Overlay)	N/A	BPS US T2
Pharos TPC-FBB	TPC Flush Mounting Box	N/A	TPC FBB
Pharos TPC-SBB	TPC Surface Mounting Box	N/A	TPC SBB
Pharos EXT	Extension for TOC connectivity (DMX, DALI, IO, serial, mains powered)	N/A	TPC EXT
Pharos Cloud	Contact factory for information & pricing for Pharos Cloud		
Pathway DMX Splitter	Wall-mount, 4 ports, E1.20 RDM Compliant, Small - 10in X 13in X 4 1/2in	PWREP WM P4 TERM RDM SML DMX-RDM	250-0153
Pathway DMX Splitter	Wall-mount, 8 ports, E1.20 RDM Compliant, Medium - 10in X 23in X 4 1/2in	PWREP WM P8 TERM RDM MED DMX-RDM	250-0154
Pathway DMX Splitter	Wall-mount, 12 ports, E1.20 RDM Compliant, Medium - 10in X 23in X 4 1/2in	PWREP WM P12 TERM RDM MED DMX-RDM	250-0155
Shielded Cable 500FT	RS-485 Cable for DMX, 24 AWG stranded TC conductors, polyethylene insulation for interior use only	SW-L-19827-1-500FT	250-0251
Shielded Cable 1000FT	RS-485 Cable for DMX, 24 AWG stranded TC conductors, polyethylene insulation for interior use only	SW-L-19827-1-1000FT	250-0252