

Dynamic White Flexible Linear Product

Starflex Dynamic White offers two circuit mixing ability with the choice of a warm white light and cool white light, allowing for easy tuning of white light temperatures. This flexible linear solution is ideal for lighting applications that need to have complete control over their light output. A perfect low-energy, low-heat output solution for cove, niche, cabinet and display applications.



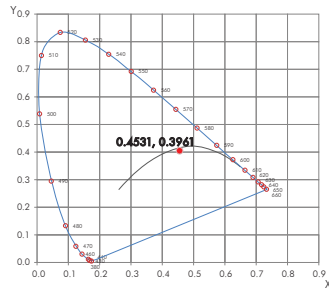
OUTPUT

Delivered Lumens	241.54 lm/ft
CCT & SDMC	2300K - 4500K
Chromaticity Coordinates	x: 0.4531 y: 0.03961 u: 0.2547 v: 0.3471
Color Bin Tolerance	N/A
Efficacy (lm/W)	94.35
CRI	82
Lumen Maintenance	70,000 Hours L70 @ 25°C 90,000 Hours L50 @ 25°C 50,000 Hours L70 @ 50°C 70,000 Hours L50 @ 50°C
Testing Data	Light Data LM-79-08 & LM-80-08

ELECTRICAL

Input Voltage	12V DC
Power Consumption	2.56W per ft (0.14A)
Power Factor	≤ 1
Control	DMX512

CIE 1931 CHROMATICITY DIAGRAM



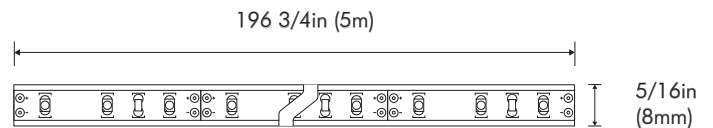
LUMINANCE DATA
(cd/sq.m)

Angle in Degrees	Average 0-Deg	Average 45-Deg	Average 90-Deg
45	9493	6655	5939
55	9206	5749	4930
65	8152	4276	3630
75	5432	2311	1921
85	3337	917	734

PHYSICAL

Applications	IP20 Dry Locations, Cabinet, Cove, Display, Niches, Perimeter Lighting
Dimensions	Length 196 3/4in (5m) Width 5/16in (8mm) Height 1/8in (3mm)
LED Spacing	1/4in (6mm)
Beam Distribution	110°
Cutting Distance	2in (50mm)
Weight	6.4oz (181g) Per Reel
Construction	Constant Voltage Design Protects LEDs And Prolongs Life. White FPCB
Thermal Management	N/A
Optics	N/A
Fixture Connections	Snap on Connectors
Operating Temperature	-22°F ~ 122°F (-30°C ~ 50°C)
Storage Temperature	-40°F ~ 176°F (-40°C ~ 80°C)
Humidity	0-95% Non Condensing

DIMENSIONS



MODA TECHNOLOGY

moda**PHOSPHOR**[™]

moda**ZERO BIN**[™]

STANDARDS & CERTIFICATIONS



RoHS ✓

LM
79

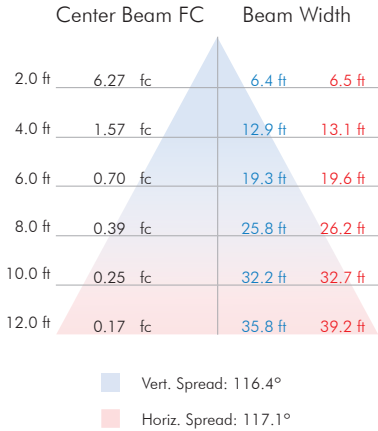
LM
80

3
YEAR
WARRANTY

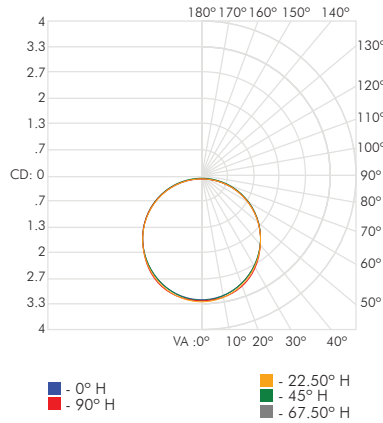
Project Name:

Notes:

ILLUMINANCE AT A DISTANCE



POLAR CANDELA DISTRIBUTION



ZONAL LUMEN SUMMARY

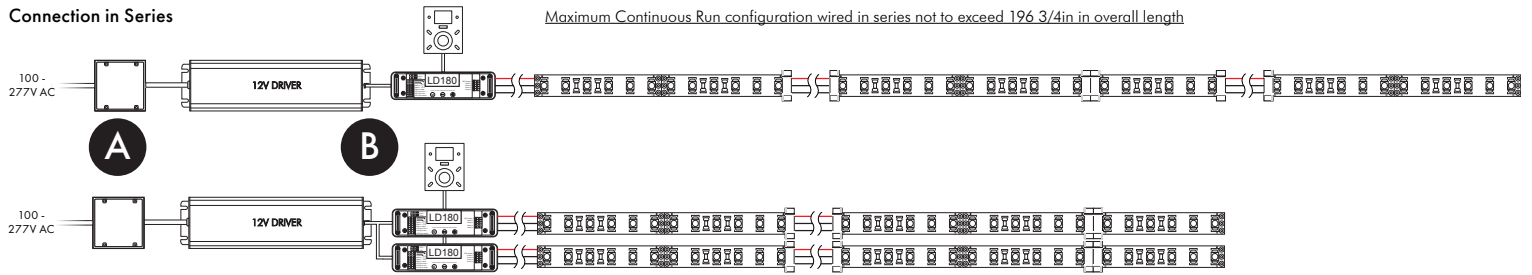
Zone	Lumens	% Lamp	% Fixt
0-30	61.60	N.A.	25.50%
0-40	102.17	N.A.	42.30%
0-60	185.02	N.A.	76.60%
60-90	44.00	N.A.	18.20%
0-90	233.57	N.A.	96.70%
90-180	8.00	N.A.	3.30%
0-180	241.54	N.A.	100%

LUMENS PER ZONE

Zone	Lumens	% Lamp	% Fixt
0-10	7.40	N.A.	3.06%
10-20	21.33	N.A.	8.83%
20-30	32.85	N.A.	13.60%
30-40	40.53	N.A.	16.78%
40-50	43.16	N.A.	17.87%
50-60	39.71	N.A.	16.44%
60-70	29.30	N.A.	12.13%
70-80	14.56	N.A.	6.03%
80-90	4.78	N.A.	1.98%
90-100	2.66	N.A.	1.10%

WIRING

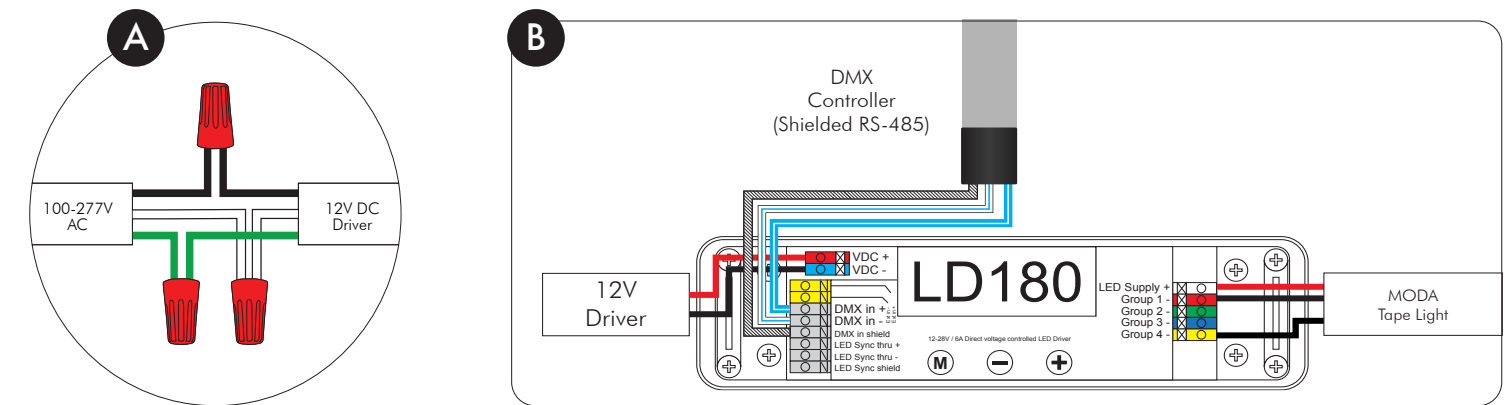
Connection in Series



Connection in Parallel

Parallel Run DMX Wiring

Multiple connections in parallel can be made provided that each section does not exceed the Max Run Length of the product and does not exceed Max Load on driver.
 Example: 3 parallel connections x 184in lengths ≤ 46 total feet for Max Load determination.



WIRING LEGEND

12V Driver Primary Side	12V Driver Secondary Side	DMX CONTROLLER	Leader Cable
— Live 100-277V AC	— DC Power Positive	— Data Positive	— 12V Positive
— Neutral AC	— DC Power Negative	— Data Negative	— Negative
— Ground AC		— DMX Shield	— Negative

MAX LOAD

132W Driver	46ft (14m)
60W Driver	21ft (6.4m)

MAX CONTINUOUS RUN

196 3/4in (5m)

FIXTURE	ORDERING SKU
Starflex Dynamic White 2300K-4500K	STF-DW-12V

POWER	ORDERING SKU
12V DC Driver - 100-277V AC Input - Non-Dimmable - 132W - IP20	MP16
12V DC Driver - 100-277V AC Input - 0-10V Dimmable - 60W - IP20	MP18N

ACCESSORIES	ORDERING SKU
10FT Leader Cable	MRTA58
In-Line Connector	MRTA59
4IN EZ Connector	MRTA62
Moda Shield Clear 4FT	MODA-SHD-C-4FT
Moda Shield White 4FT	MODA-SHD-W-4FT

CONTROLS	DESCRIPTION	PART NUMBER	ORDERING SKU
Kandi Touch	DMX512 Wall Mounted Touch Panel Controller with Color Display	KND-TCH-B (Black)	250-0040
		KND-TCH-W (White)	250-0041
MODA Touch	DMX512 Wall Mounted Touch Panel Controller	MTCH-S1-B (Black)	MTCH-S1-B
		MTCH-S1-W (White)	MTCH-S1-W

CONTROL ACCESSORIES	DESCRIPTION	PART NUMBER	ORDERING SKU
Linear Drive 180	180W 4 Channel Constant Voltage DMX Interface	N/A	LD180
Shielded Cable 500FT	RS-485 Cable for DMX, 24 AWG stranded TC conductors, polyethylene insulation	SW-L-19827-1-500FT	250-0251
Shielded Cable 1000FT	RS-485 Cable for DMX, 24 AWG stranded TC conductors, polyethylene insulation	SW-L-19827-1-1000FT	250-0252